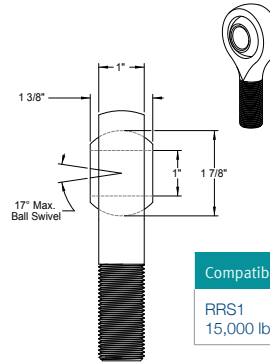
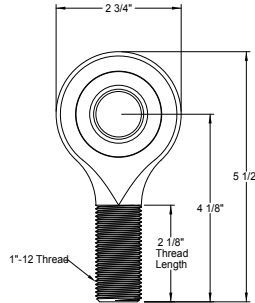


Rod Ends

RE-112-M Rod End



- ★ Steel Ball Joint Rod End 1"-12 RH Male Shank, 1" Ball ID, 2-1/8" Thrd Length
- ★ Safe load: 43,541 lb



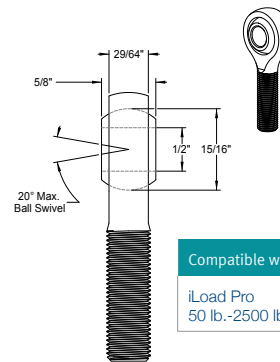
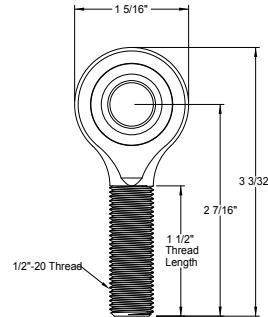
Compatible with any of the following Load Cells:

RRS1 15,000 lb.		
--------------------	--	--

RE-1220-M Rod End



- ★ Steel Ball Joint Rod End 1/2"-20 RH Male Shank, 1/2" Ball ID, 1-1/2" L Thrd
- ★ Safe load: 10,046 lb



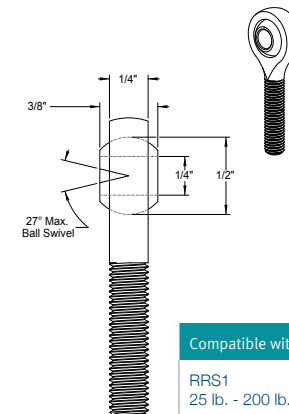
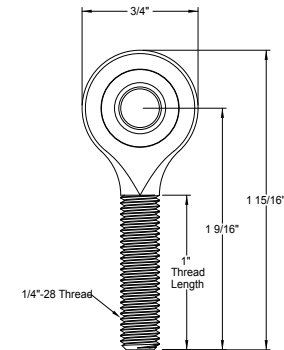
Compatible with any of the following Load Cells:

iLoad Pro 50 lb.-2500 lb.	iLoad TR 2 lb.- 100 lb.	
------------------------------	----------------------------	--

RE-1428-M Rod End



- ★ Steel Ball Joint Rod End 1/4"-28 RH Male Shank, 1/4" Ball ID, 1" L Thrd
- ★ Safe load: 2,835 lb



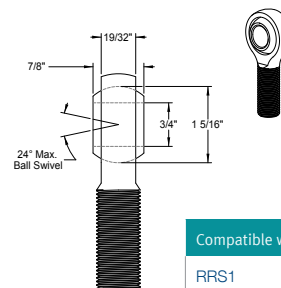
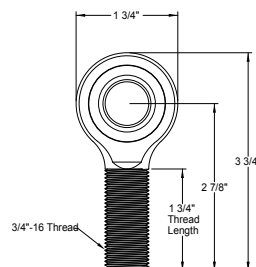
Compatible with any of the following Load Cells:

RRS1 25 lb. - 200 lb.	RAS1 25 lb. - 200 lb.	
--------------------------	--------------------------	--

RE-3416-M Rod End



- ★ Steel Ball Joint Rod End 3/4"-16 RH Male Shank, 3/4" Ball ID, 1-3/4" L Thrd
- ★ Safe load: 15,894 lb

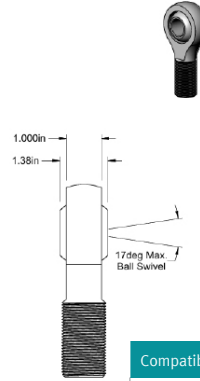
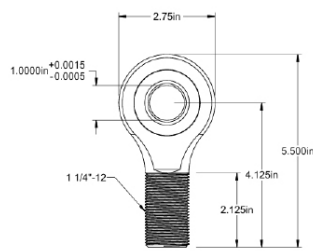


Compatible with any of the following Load Cells:

RRS1 5,000 lb.- 10,000 lb.	RAS1 5,000 lb.- 10,000 lb.	
-------------------------------	-------------------------------	--

Rod Ends

RE-11412-M Rod End



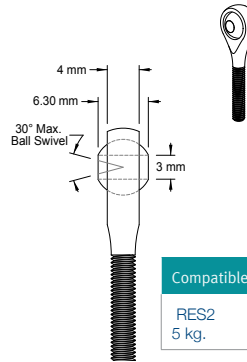
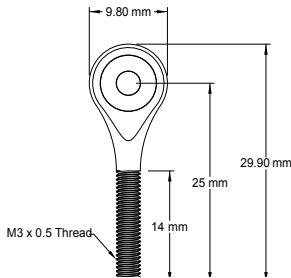
Compatible with any of the following Load Cells:

RRS1 20,000 lb.	RAS1 20,000 lb.	
--------------------	--------------------	--

★ Steel Ball Joint Rod End 1-1/4"-12 RH Male Shank, 1-1/4" Ball ID, 2-1/8" L Thrd

★ Safe load: 44,500 lb

RE-M3-M Rod End



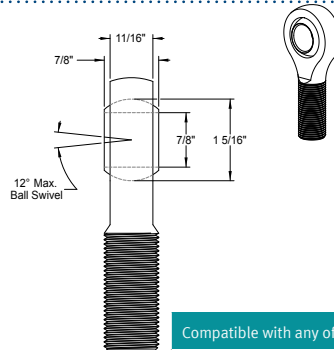
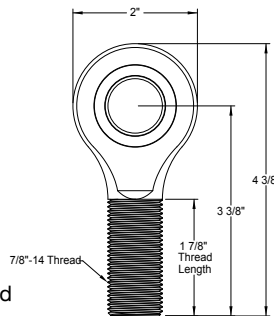
Compatible with any of the following Load Cells:

RES2 5 kg.	RES2 10 kg.	RES2 15 kg.
---------------	----------------	----------------

★ Metric Ball Joint Rod End, M3 x 0.5 Right-Hand Male Shank, 3mm Ball ID, 14mm Length Thread.

★ Safe load: *Contact Loadstar Sensors

RE-7814-M Rod End



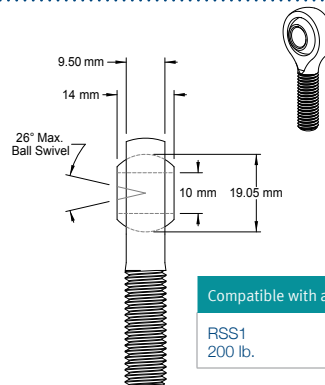
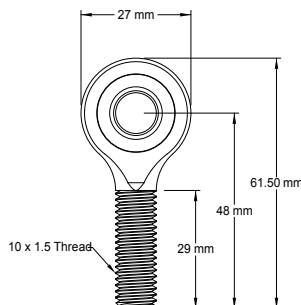
Compatible with any of the following Load Cells:

iLoad Pro 5,000 lb.	iLoad Pro 10,000 lb.	
------------------------	-------------------------	--

★ High-Strength PTFE-Lined Ball Joint Rod End 7/8"-14 RH Male Shank, 7/8" Ball ID, 1-7/8" L Thrd

★ Safe load: 55,690 lb

RE-M10-M Rod End



Compatible with any of the following Load Cells:

RSS1 200 lb.		
-----------------	--	--

★ Metric Ball Joint Rod End M10 X 1.5 RH Male Shank, 10mm Ball ID, 29mm L Thrd

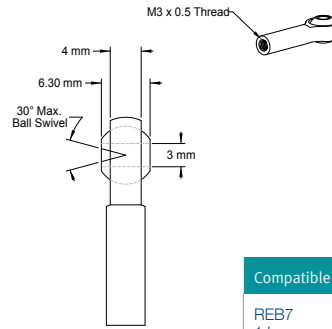
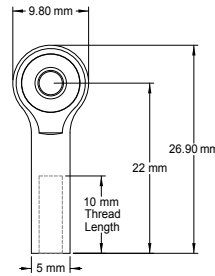
★ Safe load: 4,726 lb

Rod Ends

RE-M3-F Rod End

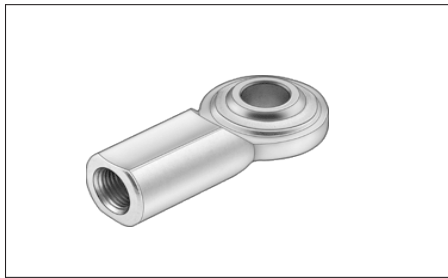


- ★ Metric Ball Joint Rod End M3 X 0.5 RH Female Shank, 3mm Ball ID, 10mm L Thrd
- ★ Safe load: *Contact Loadstar Sensors

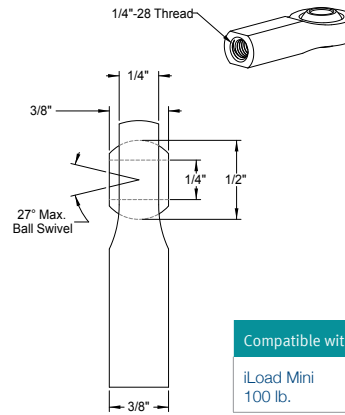
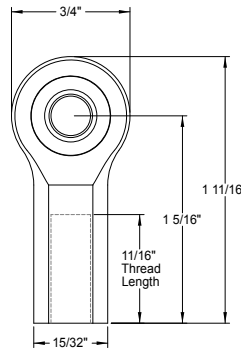


Compatible with any of the following Load Cells:	
REB7 1 kg.	REB7 2 kg.

RE-1428-F Rod End



- ★ Steel Ball Joint Rod End, 1/4"-28 Right-Hand Female Shank, 1/4" Ball ID, 11/16" Length Thread
- ★ Safe load: 3,820 lb

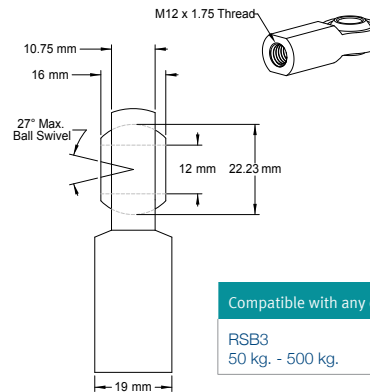
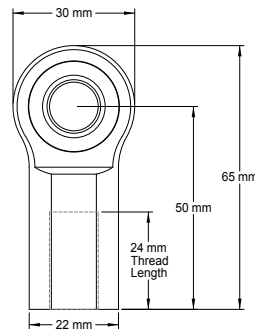


Compatible with any of the following Load Cells:	
iLoad Mini 100 lb.	iLoad Mini 200 lb.

RE-M12-F Rod End

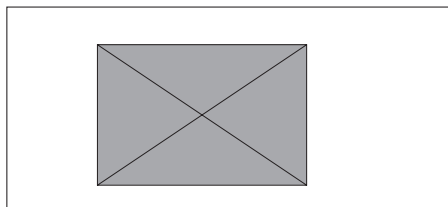


- ★ Metric Ball Joint Rod End M12 X 1.75 RH Fem Shank, 12mm Ball ID, 24mm L Thrd.
- ★ Safe load: 5,804 lb

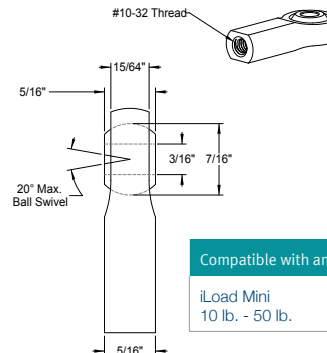
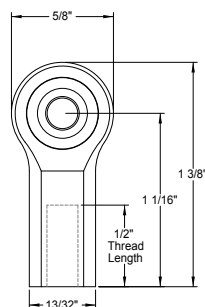


Compatible with any of the following Load Cells:	
RSB3 50 kg. - 500 kg.	

RE-1032-F Rod End



- ★ Steel Ball Joint Rod End 10-32 RH Female Shank, 3/16" Ball ID, 1/2" L Thrd
- ★ Safe load: 2,079 lb



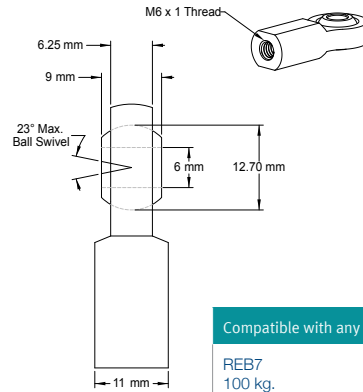
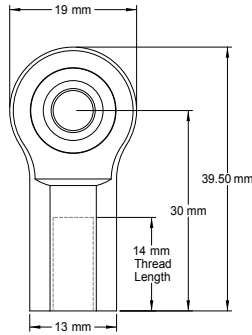
Compatible with any of the following Load Cells:	
iLoad Mini 10 lb. - 50 lb.	

Rod Ends

RE-M6-F Rod End



- ★ Metric Ball Joint Rod End M6 X 1.0 RH Fem Shank, 6mm Ball ID, 14mm L Thrd
- ★ Safe load: 2,674 lb



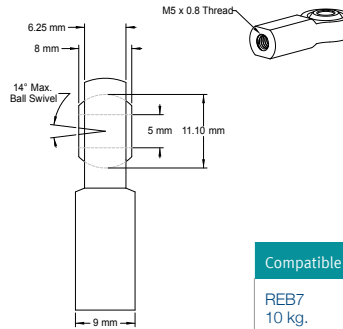
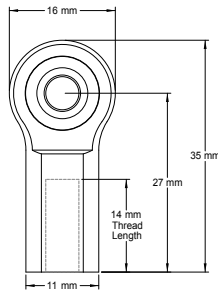
Compatible with any of the following Load Cells:

REB7 100 kg.	RSB4 10 kg. - 200 kg.	
-----------------	--------------------------	--

RE-M5-F Rod End



- ★ Metric Ball Joint Rod End M5 X 0.8 RH Fem Shank, 5mm Ball ID, 14mm L Thrd
- ★ Safe load: 1,593 lb



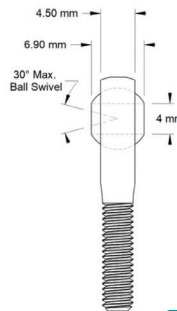
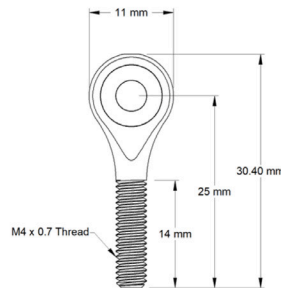
Compatible with any of the following Load Cells:

REB7 10 kg.		
----------------	--	--

RE-M4-M Rod End



- ★ Metric Ball Joint Rod End M4 X 0.7 RH Fem Shank, 4mm Ball ID, 14mm L Thrd
- ★ Safe load: 1,200 lb



Compatible with any of the following Load Cells:

RES2 5 kg, 10 kg, 50 kg		
----------------------------	--	--